

# SURGICAL SUCTION PUMP

CHS-708

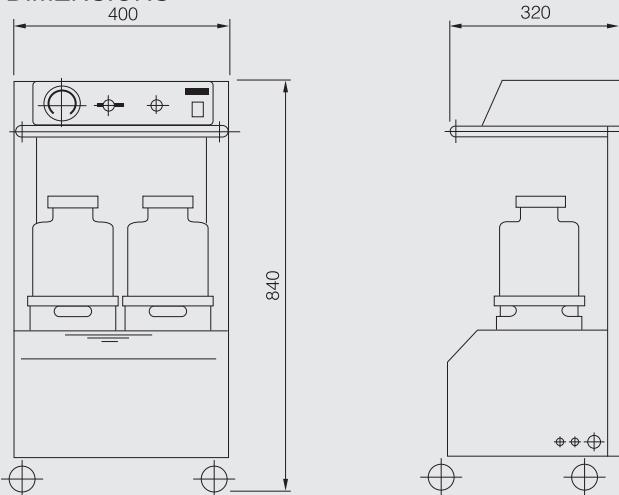


The CHS-708 suction pump is an appliance for surgical operations and examinations. For removing dirt from and cleaning of the body part to be operated on, it provides low-noise, strong suction that can be adjusted according to the condition of the users.

## • Features

- Its slim design enhances efficient space utilization in diagnosis and operation rooms.
- The auxiliary bottle and the auto stopper (buoyancy type) prevent any dirt from entering the pump.
- The displacement rate is 50L/min, reaching the highest output within the shortest time possible.
- The motors and pumps are incorporated into one unit, offering noiseless, silent operation.
- This oil-less type system is free from oil evaporation even after long use.
- The check valve maintains the vacuum pressure for the time being during surgery or child delivery even if a power outage occurs.
- As no oil is used, oil replacement is not necessary.
- The suction bottle is made of plastic (P.C.), eliminating the possibility of damages in handling.

## • DIMENSIONS



## • SPECIFICATIONS

Dimensions (W x D x H)	400 x 320 x 840(mm)
Suction bottle (made of PC)	3,000cc x 2ea
Max. vacuum pressure	740mmHg $\pm$ 10mmHg
Vacuum pump	Piston type oil-less pump
Motor	Single phase motor 0.25kW
Displacement	50L/min. $\pm$ 10L/min.
Wheels	2" rotary wheel x 4ea
Voltage	AC 220V, 50/60Hz
Power consumption	250W
Backflow prevention	Auxiliary bottle (float type)
Weight	About 25kg

## • ACCESSORIES

• Standard Accessories	
Foot switch	1ea
Suction tip	1ea
Suction bottle (3,000cc)	2ea
Ground cable	1ea
Silicon hose (2m)	1ea
Fuse (10A)	2ea

The specifications are subject to change without prior notice for improvement

# OB/GYN SUCTION PUMP

CHS-EV



The CHS-EV suction pump is an appliance for obstetric and gynecological surgical operations and examinations. For removing dirt from and cleaning of the body part to be operated on, it provides low-noise, strong suction that can be adjusted according to the condition of the users.

### • Features

- Its slim design enhances efficient space utilization in diagnosis and operation rooms.
- The auxiliary bottle and the auto stopper (buoyancy type) prevent any dirt from entering the pump.
- The displacement rate is 50L/min, reaching the highest output within the shortest time possible.
- The motors and pumps are incorporated into one unit, offering noiseless, silent operation.
- This oil-less type system is free from oil evaporation even after long use.
- The check valve maintains the vacuum pressure for the time being during surgery or child delivery even if a power outage occurs.
- As no oil is used, oil replacement is not necessary.
- The suction bottle is made of plastic (P.C.), eliminating the possibility of damage in handling.



FOR OB/GYN. SUCTION PUMP  
MODEL:CHS-EV (STANDARD)

- Suction Tip
- Neonatal Endotracheal Catheter with Glass tube



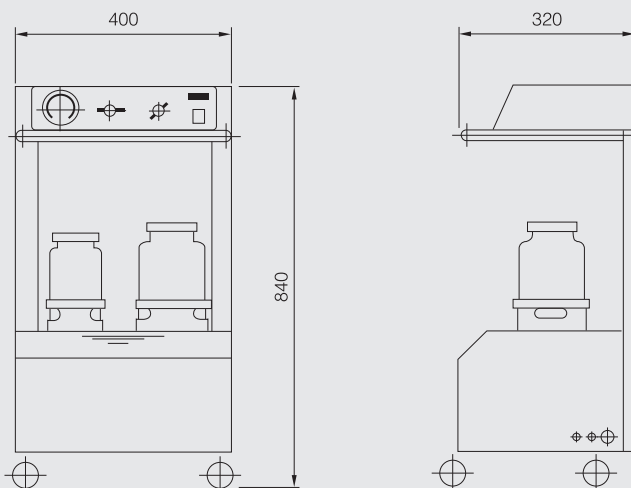
FOR OB/GYN. SUCTION PUMP  
MODEL:CHS-EV (OPTIONAL)

- Silicon Delivery Cap



FOR SUPER SUCTION UNIT  
MODEL:CHS-EV (OPTIONAL)

### • DIMENSIONS



### • SPECIFICATIONS

Dimensions (W x D x H)	400 x 320 x 840(mm)
Suction bottle (made of PC)	1,000cc x 1ea, 2,000CC x 1ea
Max. vacuum pressure	740mmHg ± 10mmHg
Vacuum pump	Piston type oil-less pump
Motor	Single phase motor 0.25kW
Displacement	50L/min. ± 10L/min.
Wheels	2" rotary wheel x 4ea
Voltage	AC 220V, 50/60Hz
Power consumption	250W
Backflow prevention	Auxiliary bottle (float type)
Weight	About 25kg

### • ACCESSORIES

• Standard Accessories	
Foot switch	1 EA
Suction tip	1 EA
Delivery cap (large)	1 EA
Delivery cap (small)	1 EA
Suction bottle (2,000cc)	1 EA
Suction bottle (1,000cc)	1 EA
Ground cable	1 EA
Silicon hose (2m)	1 EA
Hose hanger	1 EA
Fuse (10A)	2 EA
• Optional Accessories	
Super suction unit	1 EA
Silicon delivery cap	1 EA